

# ENTHOO 719



**Thank you**  
for choosing

***PHANTEKS***

1. WHAT'S INSIDE?

Introduction	3
Specifications	4
Exploded View	5
Accessories	6

2. CHOOSE YOUR SETUP

Configure your Enthoo Luxe 2	7
Get Started	8
Installing the Motherboard	11
Installing the Power Supply	12
Installing a second Power Supply	13
Installing Fans	14
Connecting the Fan Hub	15
Installing Drives	16
Installing Water Cooling	19
Radiator Clearance	20
Fill/Drain Ports	21
Installing the GPU Anti-Sag Bracket	22
Connecting Front I/O	23
Lighting Control	24
Cable Management	25
Dust Filters	26

3. SUPPORT

Optional Upgrades:	27
Installing a Vertical GPU	29
Installing the 5.25 inch bay	30
Installing Dual System	31
Contact Us	34
Warranty	35

Welcome to Phanteks!

The Enthoo Luxe 2 has been designed to house the most powerful hardware and the flexibility to configure it to your needs for the perfect system. From SSI-EEB motherboards to extreme water cooling and extensive storage capabilities, anything is possible. When combined with the Revolt X or Revolt PRO even a Dual System or the most powerful workstations can be a reality.

The Luxe 2 is capable of the extreme in style with quality materials such as aluminum, tempered glass and integrated Digital-RGB lighting.

*Phanteks believes that meaningful designs are created through the fusion of form and function.*

*The Phanteks team*



### CASE SPECIFICATIONS

Dimension (WxDxH)	240 mm x 570 mm x 595 mm (9.45 in x 22.6 in x 23.6 in)
Form Factor	Full-Tower
Materials	Powder coated steel chassis Aluminum Panels Tempered glass side panel
MB Support	SSI-EEB, E-ATX, ATX, Micro-ATX, Mini ITX
Front I/O	Power button, 4x USB 3.0, Microphone, Headphone, Reset Button, D-RGB Mode, D-RGB Color, USB 3.1 GEN 2 Type-C

### PCI SLOTS & DRIVE BAYS

PCI slots	8x	(+2x 3-vertical slot)
Internal 3.5"	12x	(4 included)
Internal 2.5"	11x	(all included)

### FAN 120 MM 140 MM

Front	4x	3x
Top	3x	3x
Rear	1x	1x
Bottom	3x	1x
Side	4x	-

### RADIATOR 120 MM 140 MM

Front	Up to 480	Up to 420
Top	Up to 360	-
Rear	120	140
Bottom	Up to 360	140
Side	Up to 480	-

### INCLUDED ACCESSORIES

Universal Fan Hub	1x	(installed)
3.5" Stackable HDD Bracket	4x	
Vertical GPU Mount	1x	
Accessory Bag	1x	
GPU Anti-Sag Bracket	1x	
Dual PSU Cover	1x	
Dual System Cover	1x	
Toolbox	1x	

### CLEARANCE

Max Motherboard width	340mm	(13.49 in)
CPU Cooler Clearance	195 mm	(7.7 in)
GPU Clearance	503 mm	(19.95 in)

### SUPPORT

Contact (International)	support@phanteks.com
Contact (America)	support@phanteksusa.com
Warranty	5 Years*

\*see page 31

1. Chassis
2. Front Panel
3. Top Panel
4. Right Side Panel
5. Left Side Panel
6. Dual PSU Bracket
7. SSD Cover
8. Front Dust Filter
9. Top Dust Filter
10. Side Dust Filters
11. Bottom Dust Filter
12. Bottom Radiator Bracket
13. SSD Bracket



### 3.5" MODULAR HDD BRACKET

- 4 included in accessory box
- For 3.5" or 2.5" Drive



### DUAL PSU COVER

- Pre-installed
- Allows for an optional second Power Supply
- Includes cover for a closed look (pre-installed)



### VERTICAL GPU MOUNT

- Included in accessory box
- Riser Cable is sold separately



### DUAL SYSTEM COVER

- Included in accessory box
- Allows for a second Mini-ITX system
- Allows for a vertical GPU
- Revolt X power supply sold separately










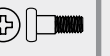

### ACCESSORY BAG AND TOOLBOX

#### Accessory bag

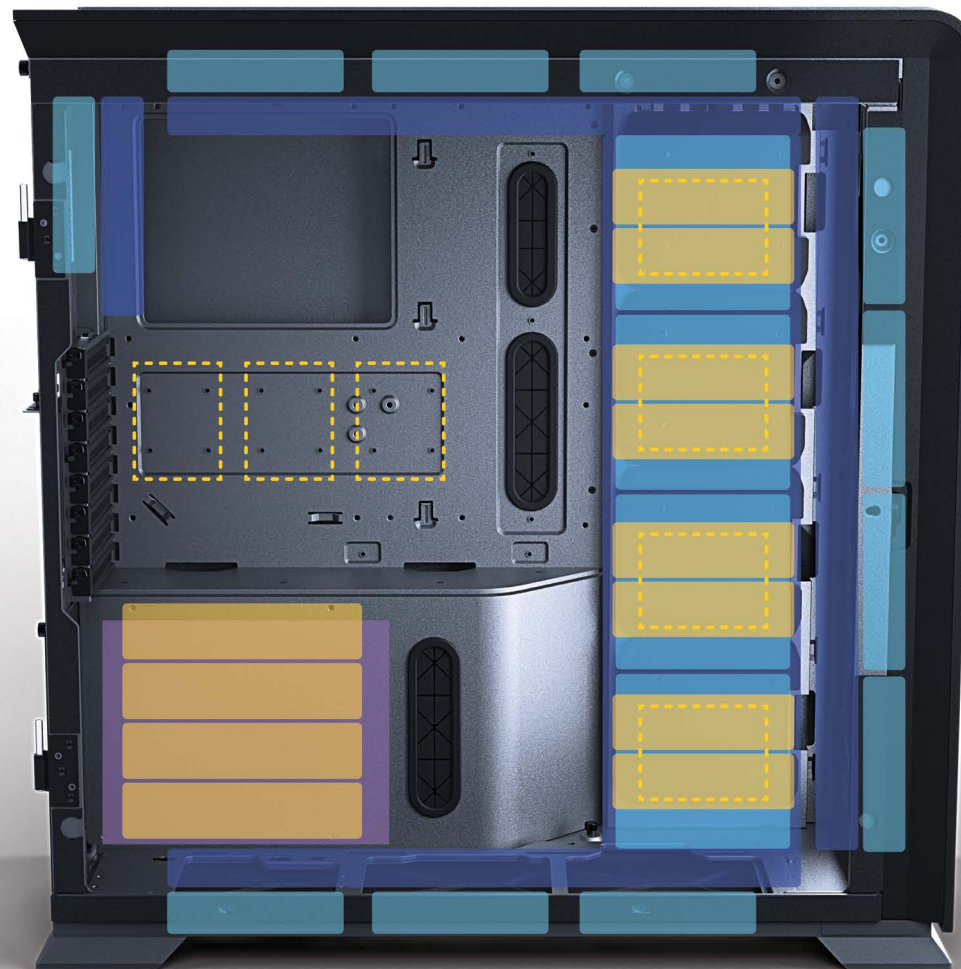


GPU Anti-Sag Bracket  
6x Zip Tie 150mm  
Phanteks Logo Badge

#### Toolbox

TG locking Thumb screw 1x 	M3x5 mm Motherboard / SSD screw 38x 	Fan screw 8x 	Motherboard Standoff + tool 6x 1x 	
6-32x6 mm Hex screw 12x 	6-32x6 mm Thumb screw 14x 	Rubber PSU pad 4x 	6-32x9 mm HDD screw 16x 	Riser Cable screw 3x 

The Enthoo Luxe 2 has the most versatile chassis design, providing you with a myriad of options. With so many possibilities to pick from, you can use this overview to choose and plan the best configuration for your build.



AIR COOLING - P14.

STORAGE - P16.


WATERCOOLING - P19.

DUAL SYSTEM - P31.

DUAL PSU - P13.

### PREPARATIONS

- The Enthoo Luxe 2 case is designed to support installation in a standing position.
- Don't turn on the power to your system until installation is complete.
- Discharge your body's static electric charge by touching a grounded surface before performing any hardware procedure.
- Make sure to consult the manuals of your hardware before installation.

 If you do not feel comfortable with performing the installation procedure, consult a qualified computer technician.

### 1. REMOVING TOP PANEL



### 2. REMOVING FRONT PANEL



### 3. REMOVING RIGHT SIDE PANEL



### 4. REMOVING LEFT SIDE PANEL

Open the side panel more than 90 degrees and lift it up near the hinges.

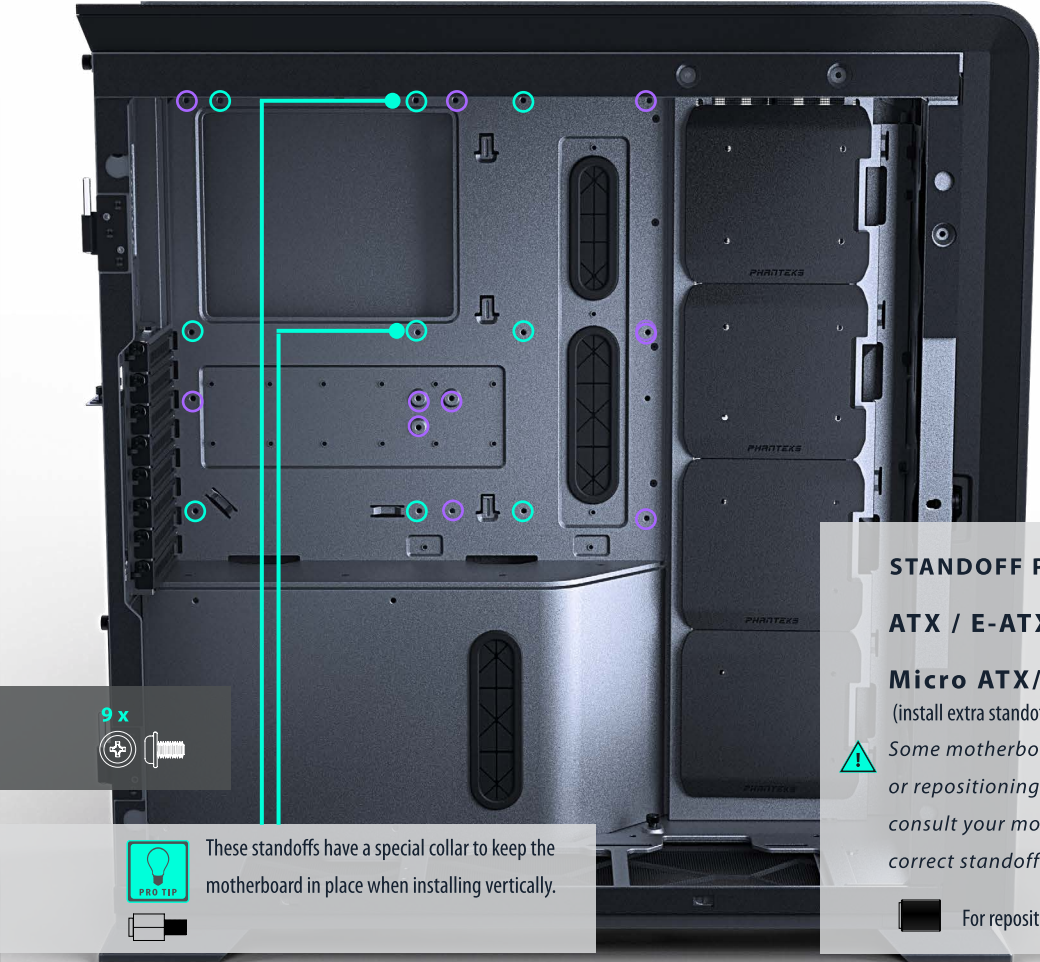


The tempered glass side panel can be locked with the TG locking thumb screw from the toolbox.



Use the motherboard screws from the toolbox to install your motherboard on the pre-installed standoffs.

**REQUIRES:**



9 x



These standoffs have a special collar to keep the motherboard in place when installing vertically.



### STANDOFF POSITIONING

**ATX / E-ATX** (Pre-installed)

**Micro ATX/SSI-EEB** (install extra standoffs)

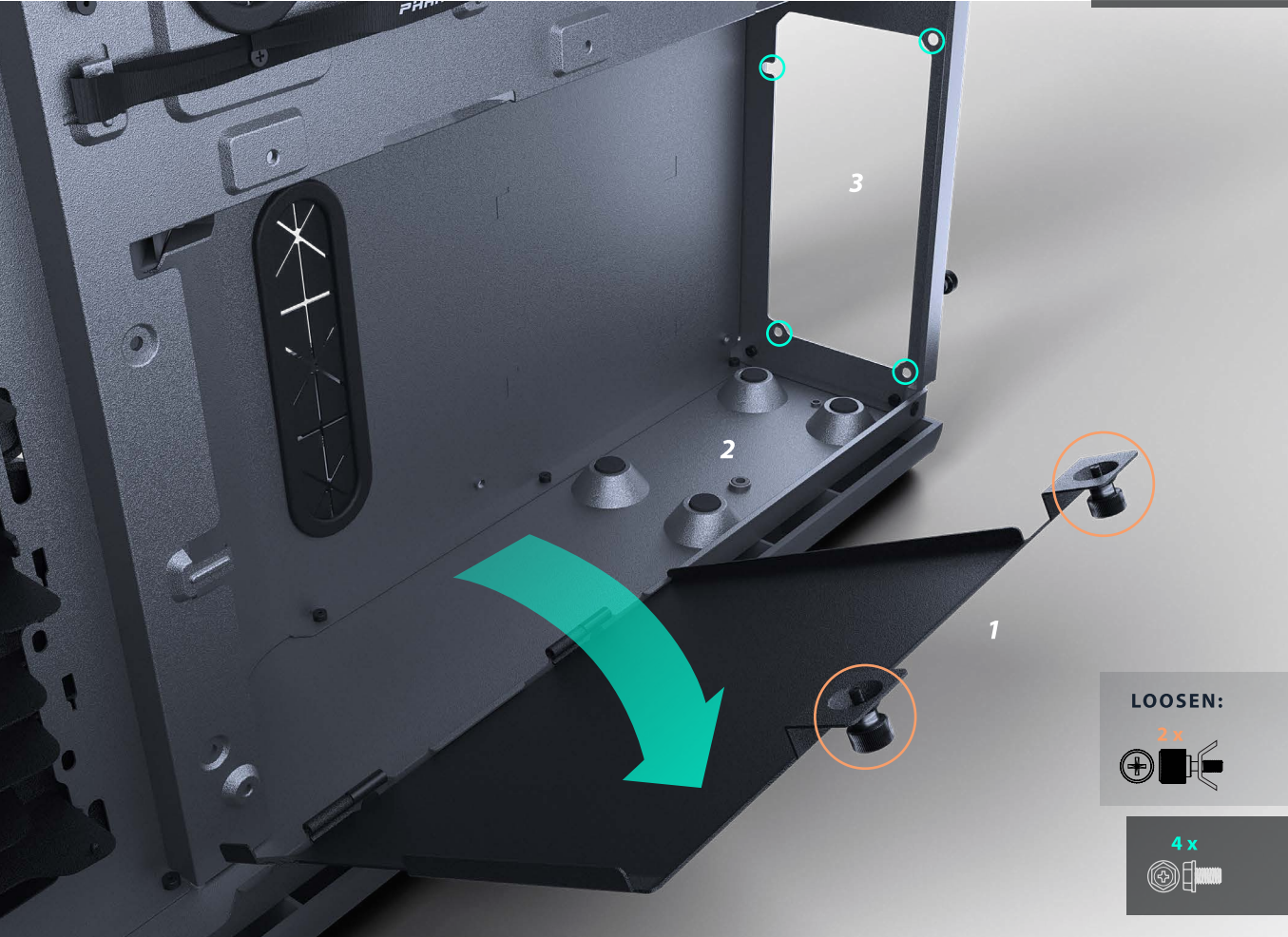
Some motherboards require installation or repositioning of the standoffs. Please consult your motherboard manual for the correct standoff positioning.

For repositioning standoffs

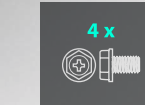
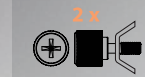
The power supply can be installed by opening the cable cover.

1. Open the Cable Cover.
2. Place the Power Supply.
3. Secure the Power Supply with 4x PSU screws.

**REQUIRES:**



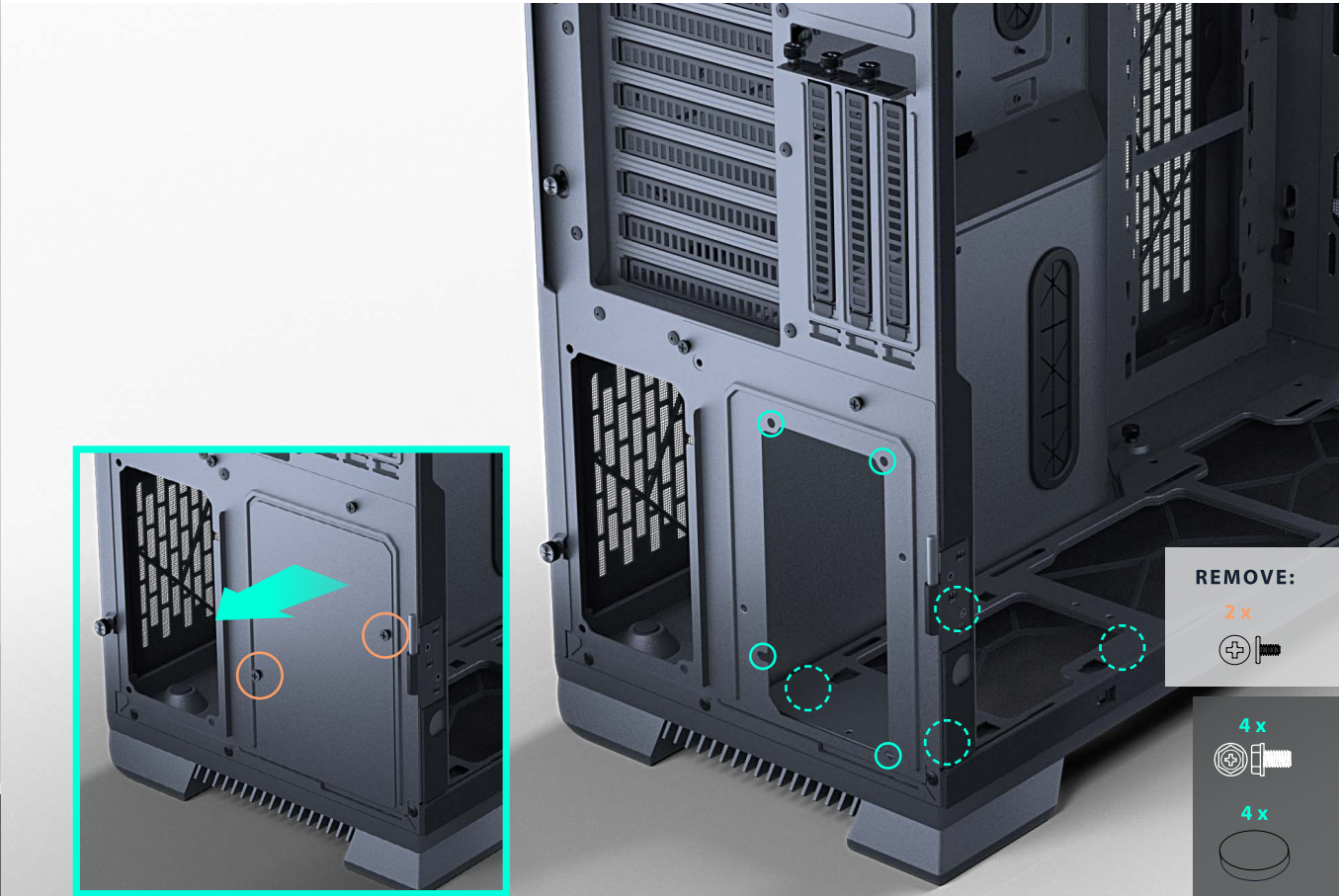
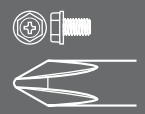
**LOOSEN:**



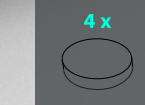
A second power supply can be installed by removing the cover in the rear panel.

1. Remove the rear PSU Cover.
2. Place the 4x rubber pads from the toolbox.
3. Place the Power Supply.
4. Secure the Power Supply with 4x PSU screws.

**REQUIRES:**



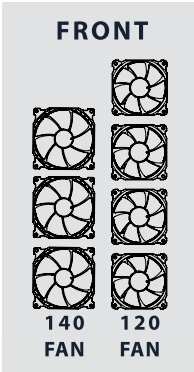
**REMOVE:**



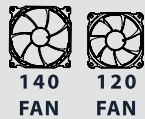


Configure your airflow-path with this overview. Some fan locations allow you to choose between storage or cooling to offer more flexibility.

The bottom radiator bracket is removed by loosening the thumb screw and sliding it forward.



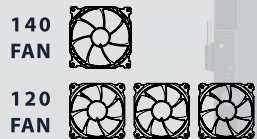
### REAR



### LOOSEN:



### BOTTOM



### SIDE



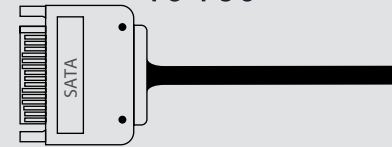
### CONNECTING THE UNIVERSAL FAN HUB

1. CONNECT THE FAN HUB 4-PIN INPUT CABLE TO YOUR MOTHERBOARD FAN HEADER
2. CONNECT EXTRA FANS TO THE CORRESPONDING CONNECTOR ON THE UNIVERSAL FAN HUB
3. CONNECT THE SATA CABLE TO THE POWER SUPPLY

### TO MOTHERBOARD



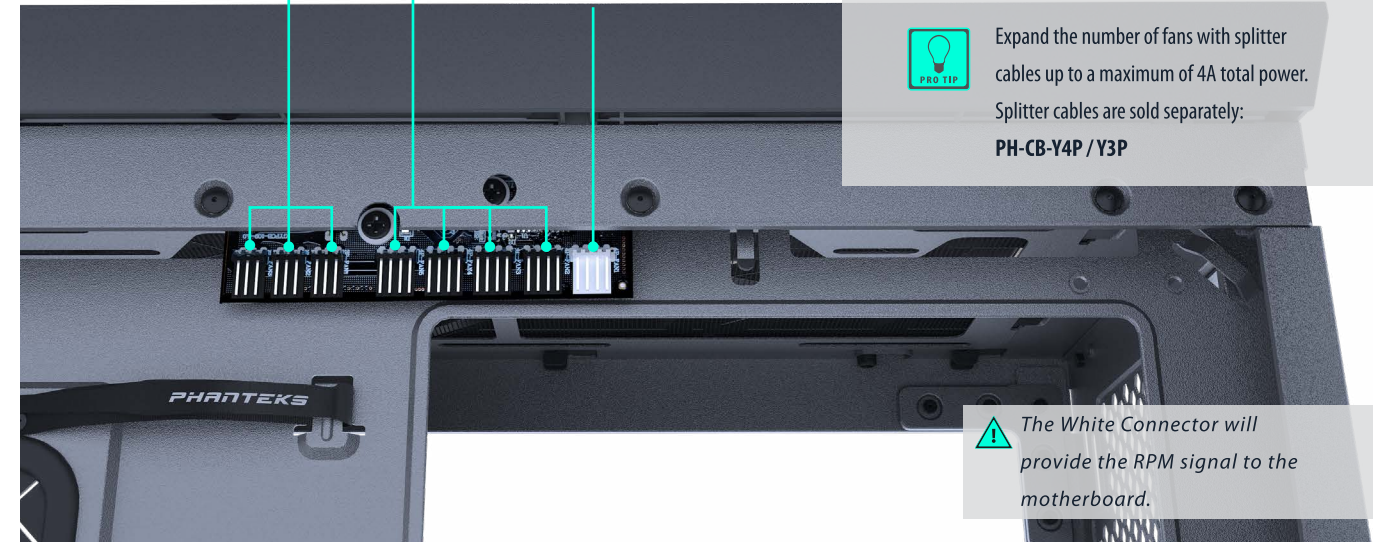
### TO PSU



### BLACK 3-PIN DC

### BLACK 4-PIN PWM

### WHITE 3-/4-PIN UNIVERSAL



You can choose a PWM or DC output in the motherboard settings. The Fan Hub will automatically translate the signal to all connected 3- and 4-pin fans. Check [WWW.PHANTEKS.COM/FAQ](http://WWW.PHANTEKS.COM/FAQ) for more technical details.



Expand the number of fans with splitter cables up to a maximum of 4A total power. Splitter cables are sold separately: **PH-CB-Y4P / Y3P**



The White Connector will provide the RPM signal to the motherboard.

### 2.5" SSD INSTALLATION

One SSD can be installed on the 3x dedicated SSD bracket and two on each of the 4x SSD covers.

#### SSD Cover

One SSD can be installed on the front of the cover with 4x SSD screws:



Another SSD can be placed without tools on the rear side of the cover. Press the SSD down on the bottom 2 pins and then place the SSD in the top 2 pins.

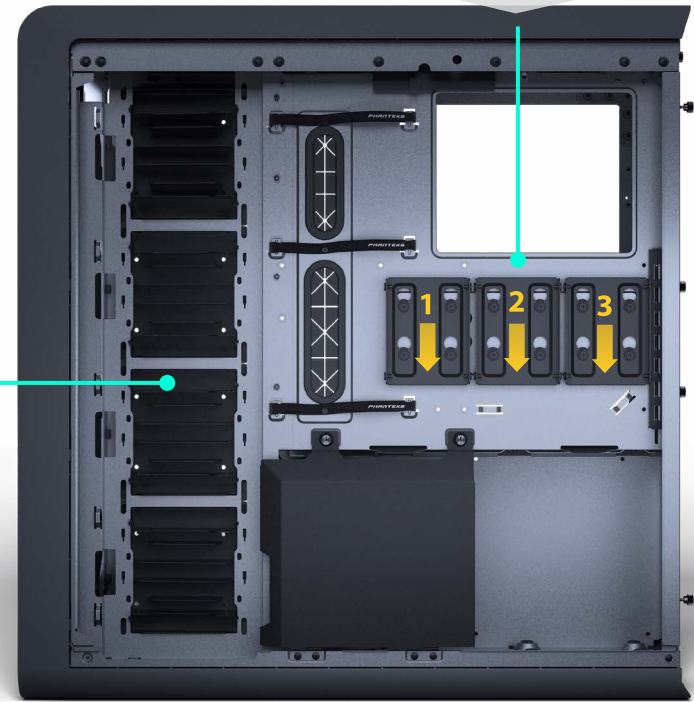
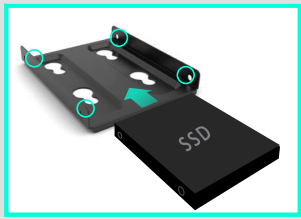


#### REQUIRES:



#### SSD Bracket

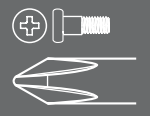
Install the SSD with 4x SSD screws and place it back on the 4x grommets.



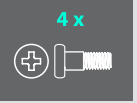
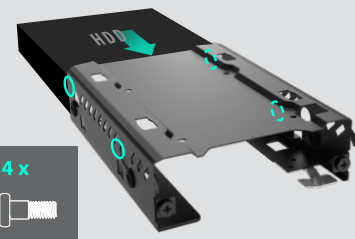
### 3.5" HDD INSTALLATION

4x Phanteks Stackable 3.5" HDD Brackets are included. Additional brackets are sold separately (PH-HDDKT\_03).

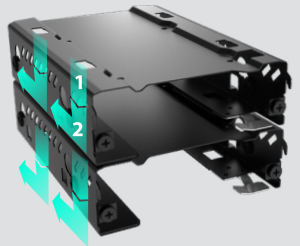
#### REQUIRES:



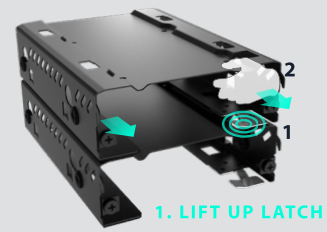
#### HDD INSTALLATION



#### STACK / INSTALL



#### REMOVE



1. LIFT UP LATCH  
2. PULL OUT

#### BOTTOM COMPARTMENT

4x HDD Brackets can be positioned in the bottom compartment. The Cables can be easily routed through the rubber grommet.

**PRO TIP** The HDD bracket can also house a 2.5" SSD instead of a 3.5" HDD.



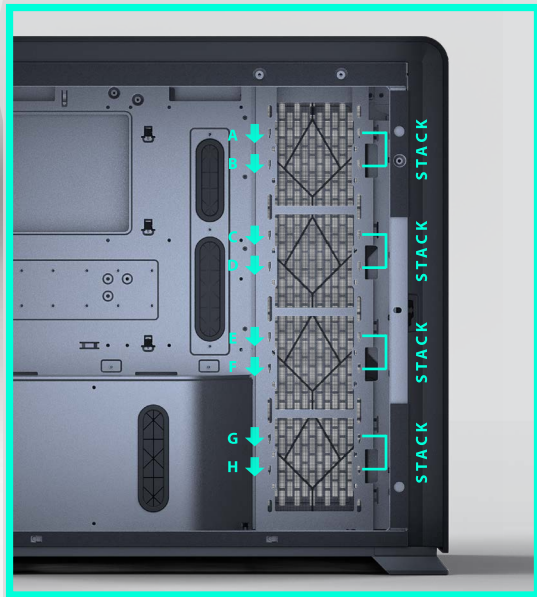
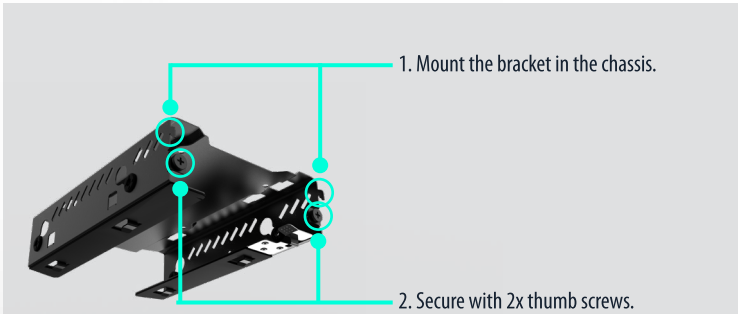
### MAIN COMPARTMENT

A total of 8 Stackable HDD brackets can be installed on the side fan positions. Before installation please remove the SSD Covers.



Stack 2 HDD brackets before mounting if you install more than 1x bracket.

### REQUIRES:



This overview shows all possible radiator form-factors, locations and clearances.

### TOP

**120 FORM FACTOR**  
max 120x460mm



\*max motherboard component height: 55mm

### REAR

**120 FORM FACTOR**  
120

**140 FORM FACTOR**  
140

### BOTTOM

**120 FORM FACTOR**  
max 120x450mm  
120  
240  
360

### SIDE

**120 FORM FACTOR**  
max 135x530x32mm  
120  
240  
360  
480

### FRONT

**120 FORM FACTOR**  
max 145x530mm  
120  
240  
360  
480

**140 FORM FACTOR**  
max 145\*x530mm  
140  
280  
420

\*160mm when SSD Covers rotated



### RADIATOR COMBINATIONS

Some radiator clearances depend on other hardware installed. Subtracting the radiator and fan thickness shows the remaining clearance for other radiators.

#### INTERNAL DIMENSIONS:

**A** :510mm

**B** :530mm



**⚠** If the HDD trays are installed on the side fan locations no front radiator can be placed there.

We highly recommend installing a drain port and fill port for easy maintenance in the future.

### FILL PORT



A Fill port can be easily installed in the Top Panel with a Passthrough Fitting and a Stop Fitting. The port diameter is 20.5mm.

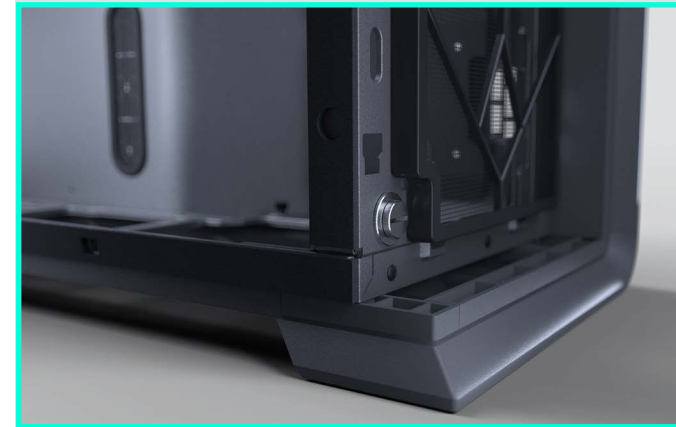
**Phanteks Passthrough fitting:**

PH-PTF\_BK/CR\_G1/4

**Phanteks Stop fitting:**

PH-PG\_BK/CR

### DRAIN PORT



The Drain Port is installed in the Front Panel using a Passthrough Fitting and a Stop Fitting / Ball Valve. The port diameter is 20.5mm.

**Phanteks Passthrough fitting:**

PH-PTF\_BK/CR\_G1/4

**Phanteks Stop fitting:**

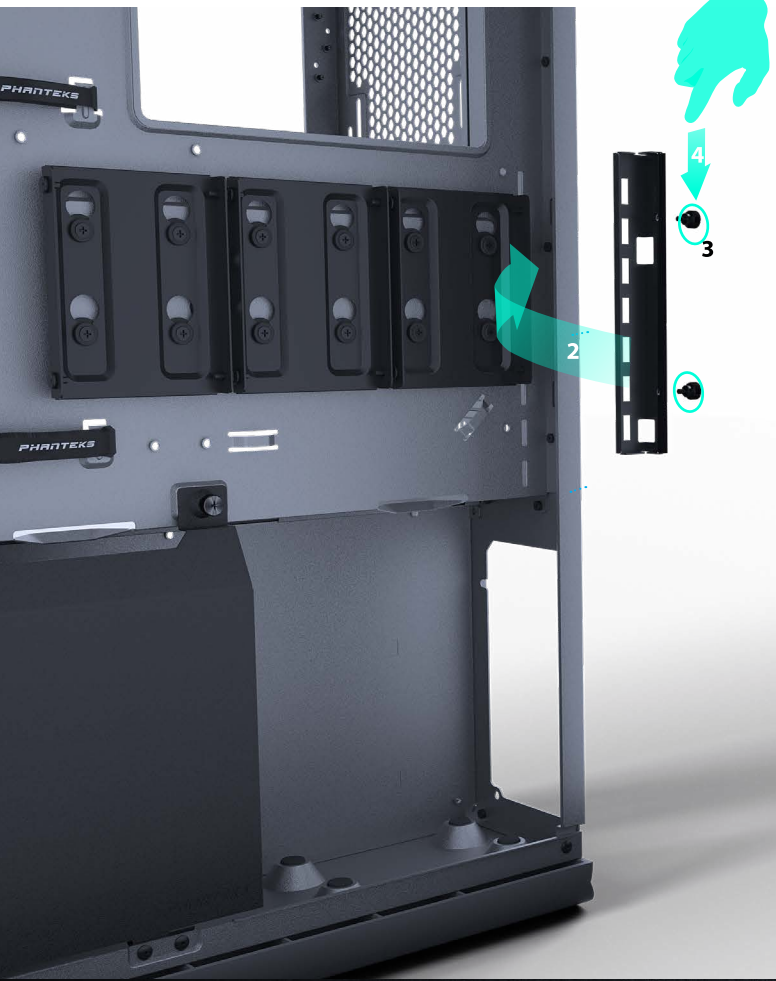
PH-PG\_BK/CR

**Phanteks Ball-Valve fitting:**

PH-BVA\_BK/CR\_G1/4

To prevent your GPU from tipping down you can install the GPU Anti-Sag Bracket.

**REQUIRES:**



### INSTALLING GPU ANTI-SAG BRACKET

1. INSTALL ALL GPU AND PCI CARDS
2. PLACE THE GPU ANTI-SAG BRACKET
3. INSERT THE THUMBSCREWS WITHOUT TIGHTENING THEM
4. PRESS DOWN AND LOCK THE THUMBSCREWS IN POSITION.

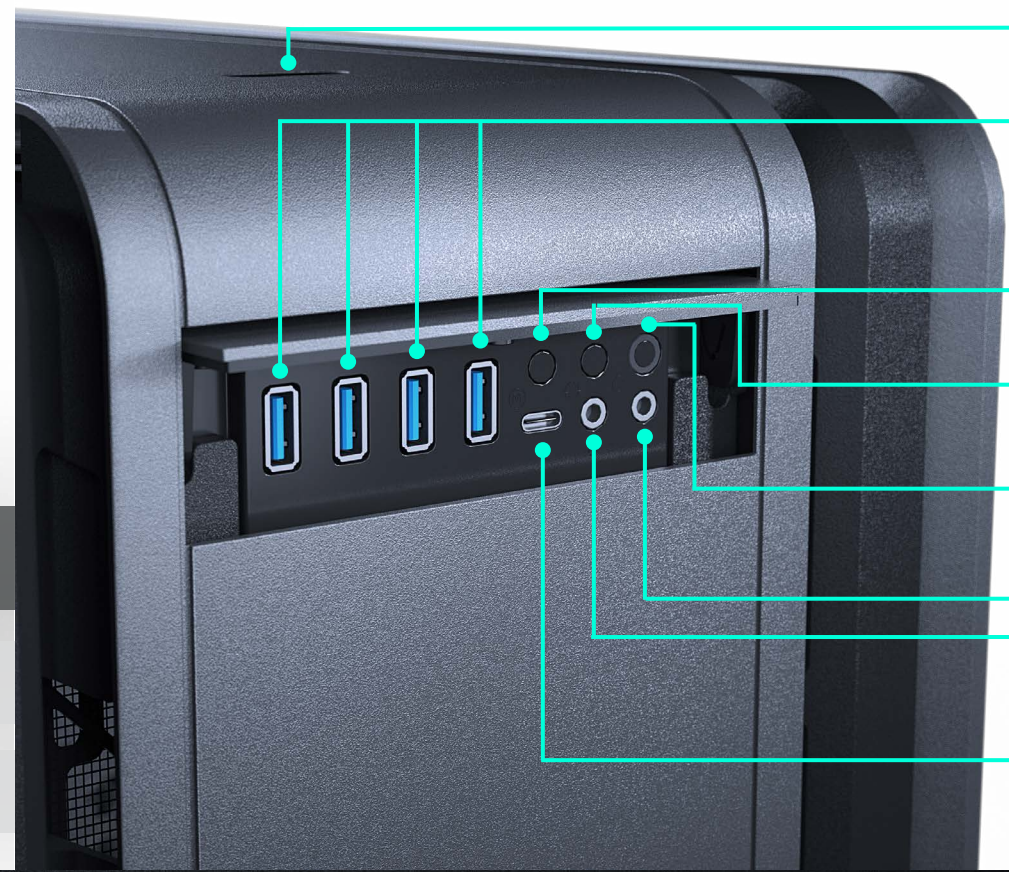
**2 x**

Always loosen the 2 thumb screws before removing any GPU or PCI cards.

**PRO TIP** Hold the GPU in the correct position when tightening the thumbscrews.

Please consult the motherboard manual for additional instructions.

Please make sure to consult your motherboard manual before connecting the front I/O.

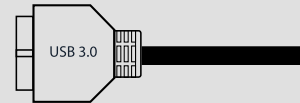


### TO MOTHERBOARD

#### POWER BUTTON



#### 4X USB 3.0



#### D-RGB MODE BUTTON



#### D-RGB COLOUR BUTTON



#### RESET BUTTON



#### HEADPHONE

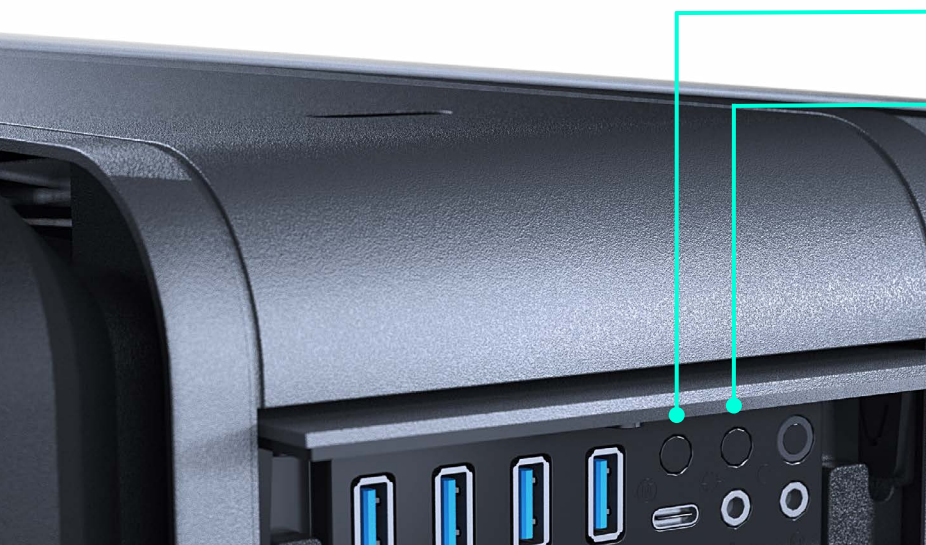
#### MICROPHONE



#### USB 3.1 GEN 2 TYPE-C



The Digital-RGB lighting can be easily controlled with the 2 buttons on the front of the chassis.



**D-RGB MODE BUTTON**



**D-RGB COLOUR BUTTON**

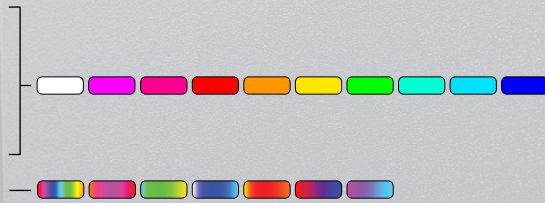


### D-RGB CONTROLS

**M MODE**

- Solid
- Breathing
- Radar
- Sparkle
- Rainbow

**○ COLOR**



**2 sec**

**Press & Hold MODE:** Turn off Front LED's.  
**Press & Hold MODE 2 sec again:** Turn off all LED's.  
(allows the controller to sync to motherboard input)

### CONNECT MORE D-RGB PRODUCTS

To DIGITAL-RGB Products



### SYNC TO MOTHERBOARD

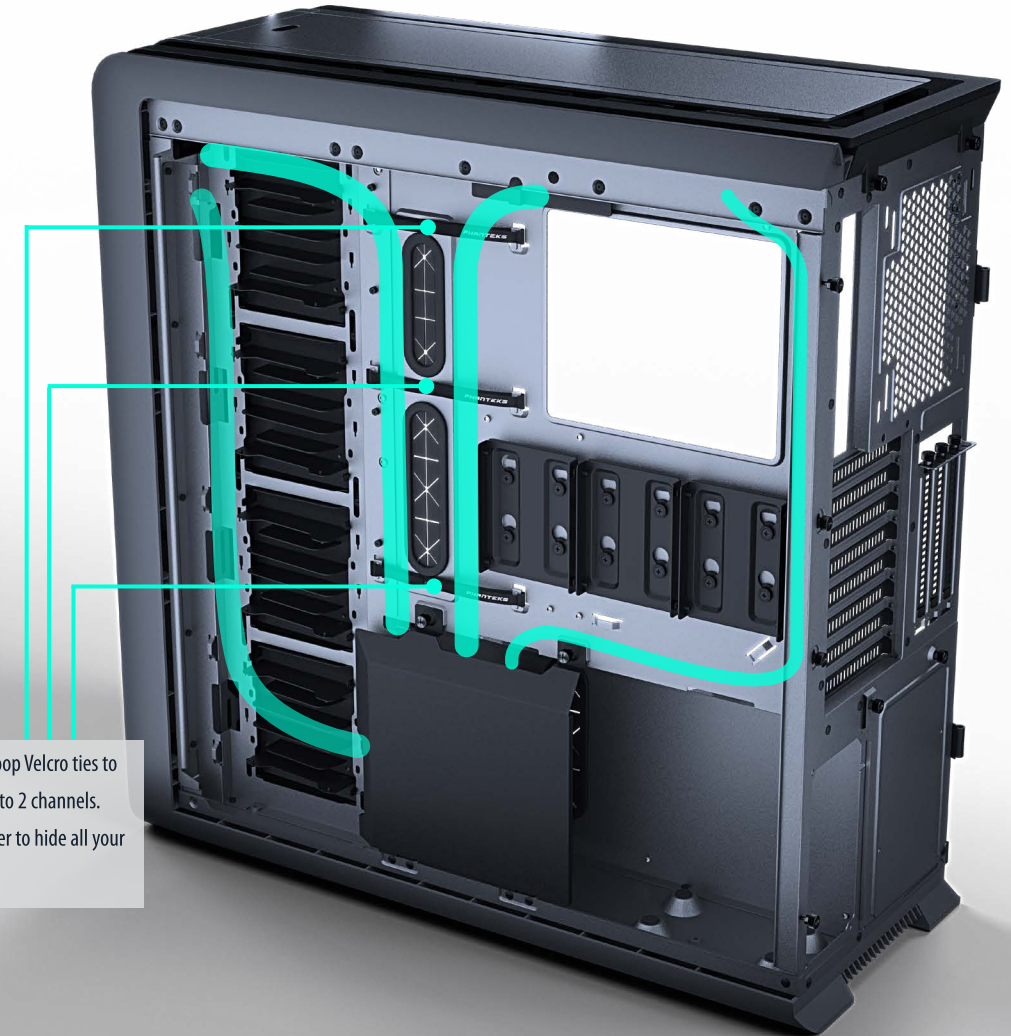
To D-RGB Motherboard (optional)



Compatible with:



Use the double-loop Velcro ties to route your cables. Zip ties are included in the accessory bag to manage any excess cables.



Use the double-loop Velcro ties to split the cables into 2 channels.  
Use the cable cover to hide all your excessive cables.

## DUST FILTERS

The Enthoo Luxe 2 is equipped with a front, bottom, side, top and PSU filter. We recommend to clean these filters every month to keep your cooling performance optimized.



**!** If cleaning the dust filters with water, make sure to properly dry them before placing them back.

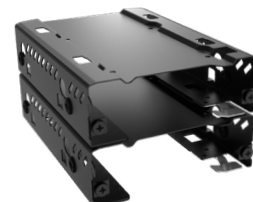
## ENTHOO 719

## OPTIONAL UPGRADES

### 3.5" STACKABLE HDD BRACKETS

PH-HDDKT\_03

For 3.5" or 2.5" Drive  
Upgrade up to 6x additional 3.5" HDDs with the optional HDD brackets.  
Contains 2x Stackable HDD Brackets.  
**Page 16**



### HIGH STATIC PRESSURE MP FAN

PH-F120MP / PH-F140MP

More fans can be installed in the Enthoo Luxe 2 and connected to the Universal Fan Hub.  
**Page 14**



### Y-SPLITTER CABLES

PH-CB-Y4P / PH-CB-Y3P

4-pin / 3-pin Fan splitters  
Using splitter-cables you can install more than 8 fans to the Universal Fan Hub.  
**Page 15**



### CABLE EXTENSION SET

PH-CBCMB0

- Available in multiple colors
- Includes clear cable combs
- Also available as separate cables



**Included cables:**  
- Motherboard 24-pin  
- CPU 4+4-pin  
- 2x GPU 6+2-pin

### Vertical GPU solutions:

#### Vertical GPU Bracket

220mm Flatline PCI-e x16 Riser Cable 90°

150mm Flatline PCI-e x16 Riser Cable 90°

With the optional Riser Cable you can place any 2-slot or 3-slot GPU vertically.

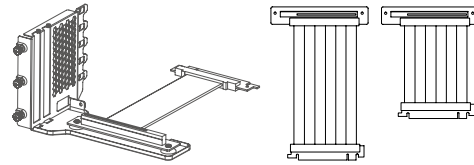
Page 29 - for System 1 vertical GPU

Page 33 - for System 2 vertical GPU

PH-VGPUKT\_02

PH-CBRS\_FL22

PH-CBRS\_FL15



PH-P1000PS / PH-P1200PS

#### Revolt X Power Supply

The Revolt X power supply unlocks the Dual System Configuration.

But also works great as a "single system" power supply.

Page 12



PH-P850PC / PH-P1000PC

#### Revolt PRO Power Supply

the Revolt PRO allows for a second power supply to be installed in the Luxe 2. With 2 power supplies you can either expand the maximum power output or provide redundancy to your system.

Page 13



#### Dual 5.25" Bay

The Dual 5.25" Bay allows for 2x 5.25" devices to be installed.

Page 30

PH-ODDBAY\_01

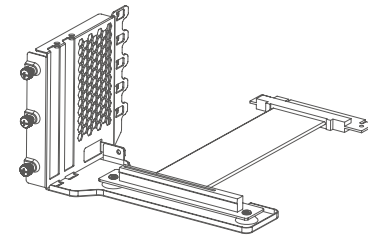


There are 2 vertical GPU positions available for System 1. We recommend the first position using the Vertical GPU Bracket.

#### 1. INSTALL USING THE VERTICAL GPU BRACKET

Vertical GPU Bracket sold separately

(PH-VGPUKT\_02)



Follow the instructions with the Vertical GPU Bracket.

#### 2. INSTALL USING THE RISER CABLE ONLY

Riser Cable sold separately

(PH-CBRS\_FL22)

REQUIRES:



We recommend to provide extra support for the vertical GPU during transport.

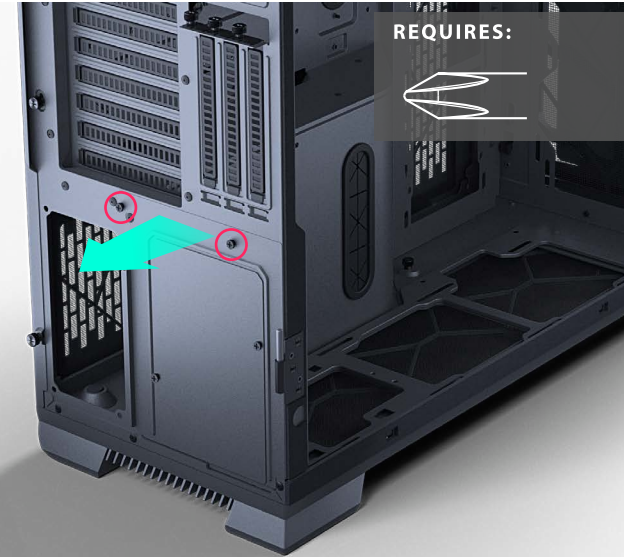


1. INSTALL ANY 5.25" DEVICES INTO THE 5.25" BAY FIRST
2. PLACE THE 5.25" BAY INTO THE CHASSIS AND SECURE WITH 3X PSU SCREWS



1. REMOVE THE PRE-INSTALLED PSU BRACKET

REMOVE:

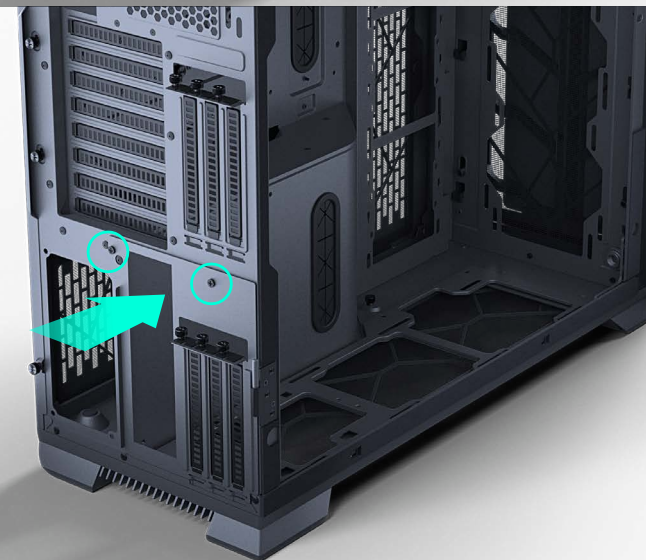



REQUIRES:



2. INSTALL THE DUAL-SYSTEM BRACKET

2 x



 The Revolt X power supply from Phanteks is required for this configuration.

3. INSTALL 4X MOTHERBOARD STAND-OFFS

4 x



3. INSTALL THE MOTHERBOARD WITH 4X MOTHERBOARD SCREWS

4 x



4. CONNECT THE POWER BUTTON AND POWER LED TO THE MOTHERBOARD

### TO ITX MOTHERBOARD

Reset SW / Power SW system 2

HDD LED / Power LED system 2



### REQUIRES:



2 x



1. INSTALL RISER CABLE ON THE VERTICAL GPU MOUNT

Riser Cable sold separately

(PH-CBRS\_FL15)



2. INSTALL VERTICAL GPU MOUNT WITH 2 X SCREWS

2 x



The GPU Mount has two mounting positions. Position A allows for better air cooling and 3-slot GPU cards.



Depending on your needs, it's not always necessary to install a GPU for your second system when your CPU is equipped with an integrated GPU.

### REQUIRES:



As a Phanteks customer, you are priority number one. We have a dedicated team of employees across the globe working hard every day to make sure we deliver the superior experience you deserve. We are here for you. If you have a question or a concern about our products, we have numerous ways you can reach us. Please choose one most convenient for you to connect with our team.

**CUSTOMER CARE**

**RMA AND TECHNICAL SUPPORT INTERNATIONAL**

Email : support@phanteks.com  
Facebook : @Phanteks



**RMA AND TECHNICAL SUPPORT AMERICAS**

Hours : Monday-Friday 9:00-5:00 PST  
Phone number : +1(909)598-2115  
Email : support@phanteksusa.com  
Facebook : @Phanteks

**For up-to-date information please check [www.Phenteks.com](http://www.Phenteks.com)**

PHANTEKS warrants its products to be free from defects in material and workmanship during the warranty period; when given normal, proper and intended usage. If a product proves to be defective in material or workmanship during the warranty period, PHANTEKS will, at its sole option, repair or replace the product with same product or similar product. The replacement product assumes the remaining warranty of the original product or 30 days, whichever provides longer coverage for the customer.

**DURATION OF WARRANTY:**

- 1. Fans - 5 years
- 2. I/O Ports - 2 years
- 3. Fan Hub -2 years
- 4. LED Lighting - 2 years
- 5. Buttons - 2 years
- 6. Chassis - 5 years
- 7. Front and Top Panels - 5 years

Please check [www.phanteks.com/Warranty](http://www.phanteks.com/Warranty) for more information.

**Enthoo Luxe 2  
PRODUCT PAGE**



**PHANTEKS  
FACEBOOK PAGE**



**PHANTEKS  
INSTAGRAM PAGE**



***PHANTEKS***